

Landscape Architecture

“The work of landscape architects is all around us. Their concern is the form and function of the land. The attractiveness and usefulness of our parks, highways, neighborhoods, urban plazas, gardens, zoos and institutions reflects the skill of landscape architects in design and planning to achieve the best use of land resources. Applying both art and science, landscape architects provide consulting services, prepare plans, and facilitate projects that create a balance between the needs and wants of people and the limitations of the environment.”

- ASLA.org

Aims of the Bachelor of Landscape Architecture Program

- Give a balanced focus on design, technology, social, and environmental concerns
- Equip the students with the basics for professional practice through a summer internship
- Challenge the students through a terminal integrative design or investigative research project
- Offer extension services

Features

- 4 year course
- Requires a summer internship
- Accredited by the Philippine Association of Landscape Architects (P.A.L.A.)



Areas of the Program

Design Courses
15%

**Design History
and Theory
Courses**
9%

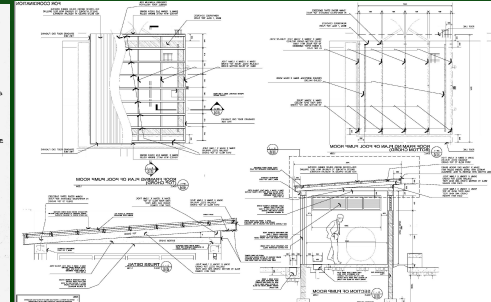
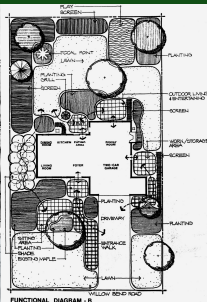
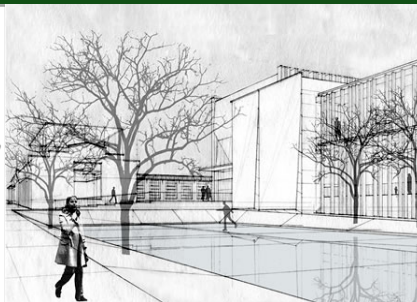
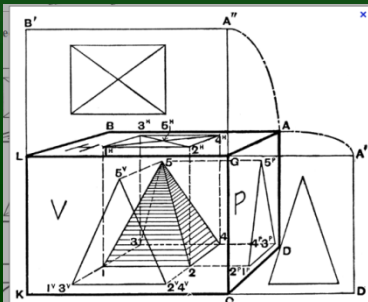
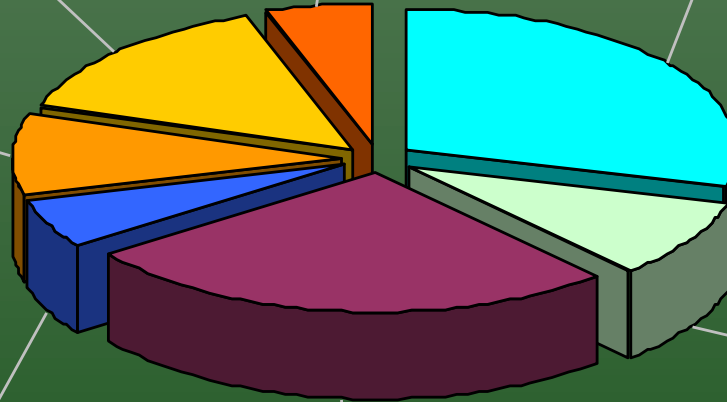
**Professional
Practice
Courses**
6%

**Terminal
Coursework**
5%

**General
Education &
Mandated
Courses**
29%

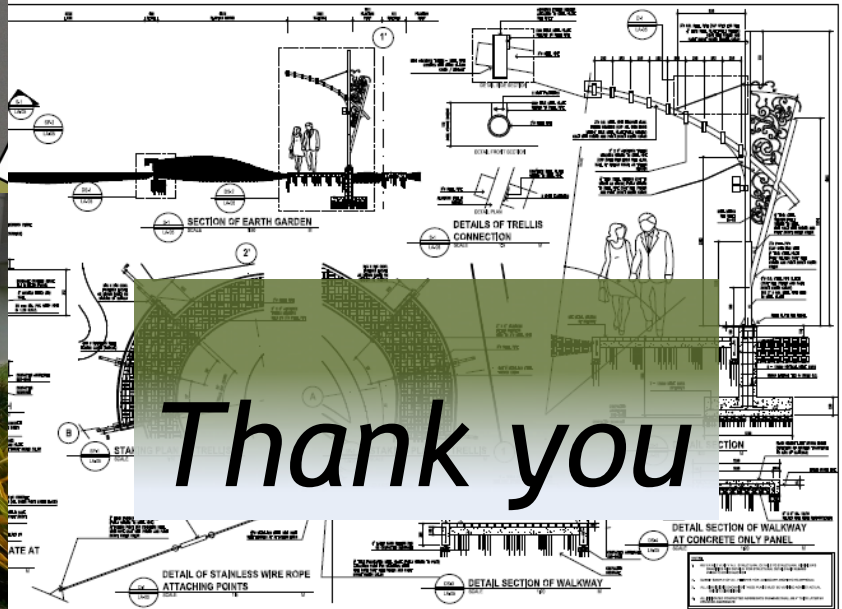
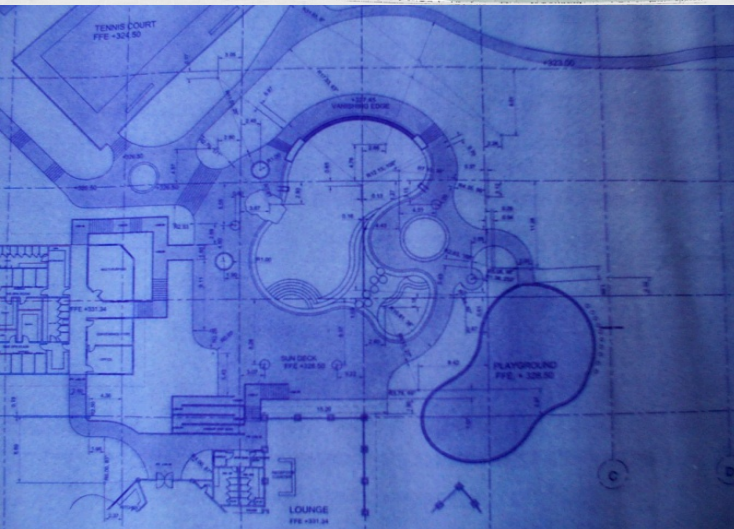
**Design
Communication
Courses**
9%

**Math, Science
and Technology
Units**
27%



Career paths of the graduates

- Design Consultancy
- Urban and Regional Planning
- Environmental Planning
- Landscape Contracting
- Property Development and Management
- Government Service (MMDA, PTA, National Parks, HLURB etc.)
- Academe



Thank you